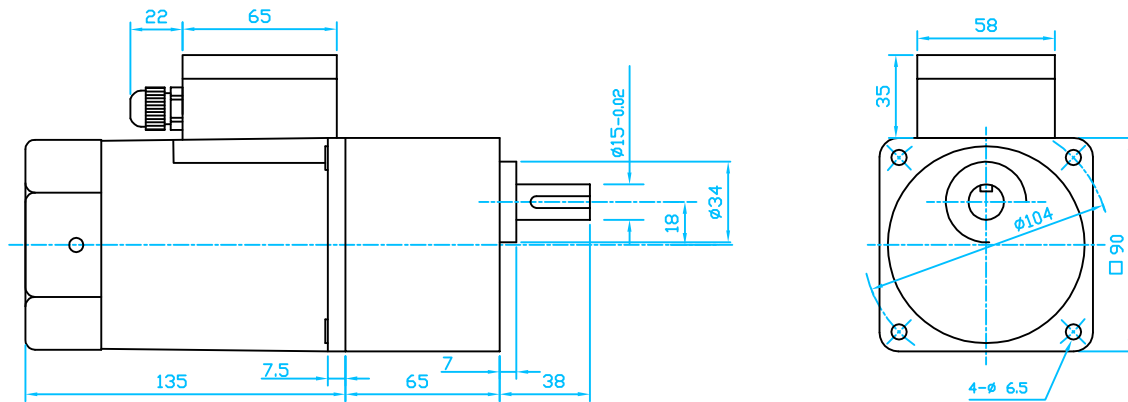
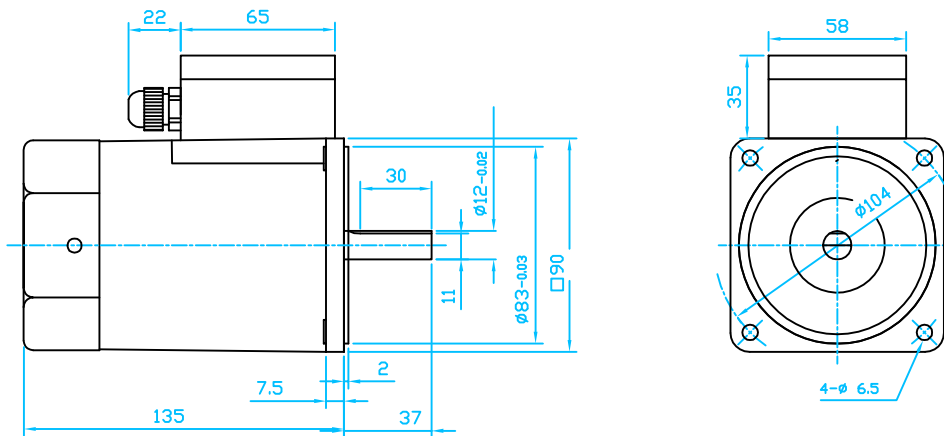


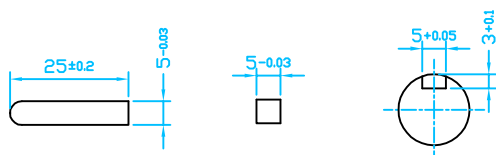
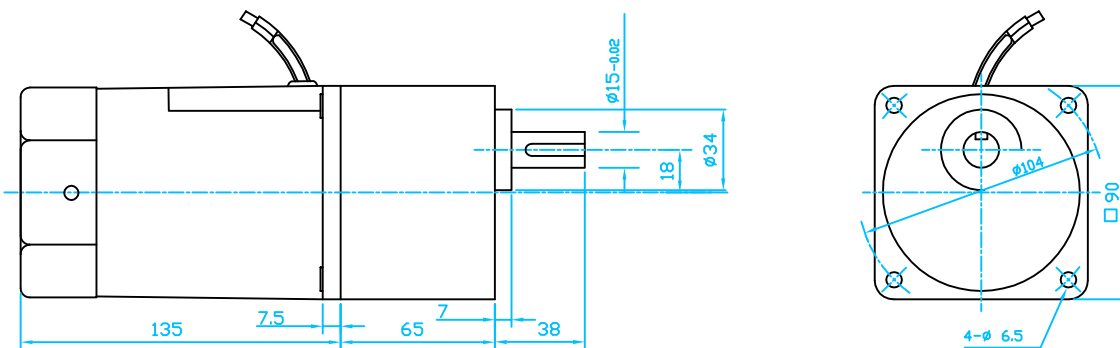
# Motor, Gearbox with Terminal Box



# Motor Round Shaft with Terminal Box



# Motor, Gearbox with Lead wire



Weight: Motor 2.5 kg    Gearbox 1.5 Kg

	DATE: 7/6/2006
	ALL DIMENSIONS ARE IN MM DRAWING NOT TO BE SCALED IF IN DOUBT PLEASE ASK
Dimensional Drawing	
PRODUCT:	Induction Motor 60 Watt
	Swipfe Industries