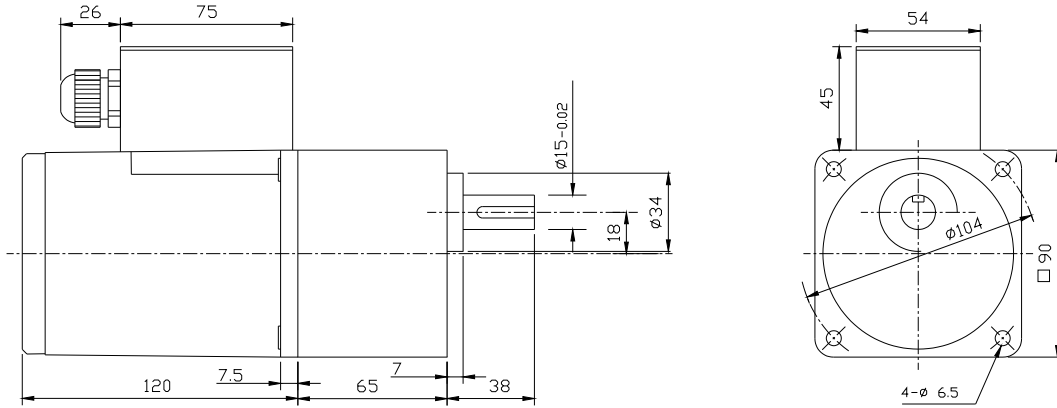
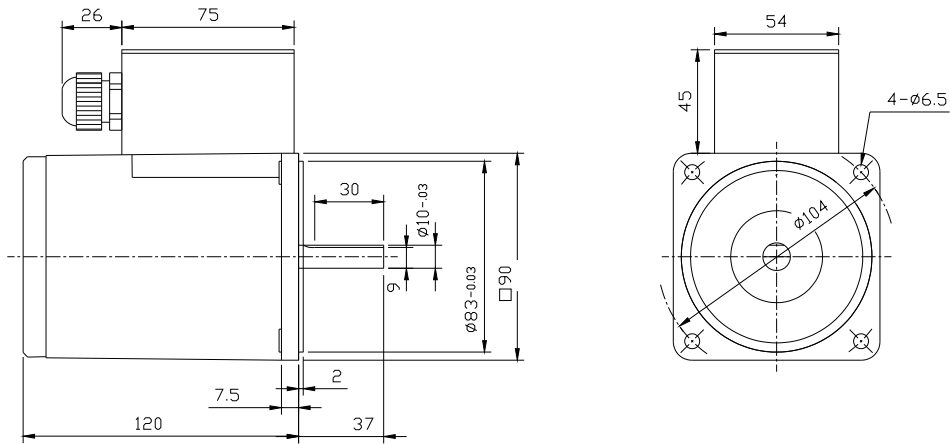


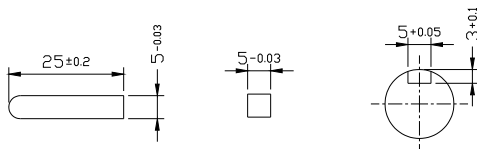
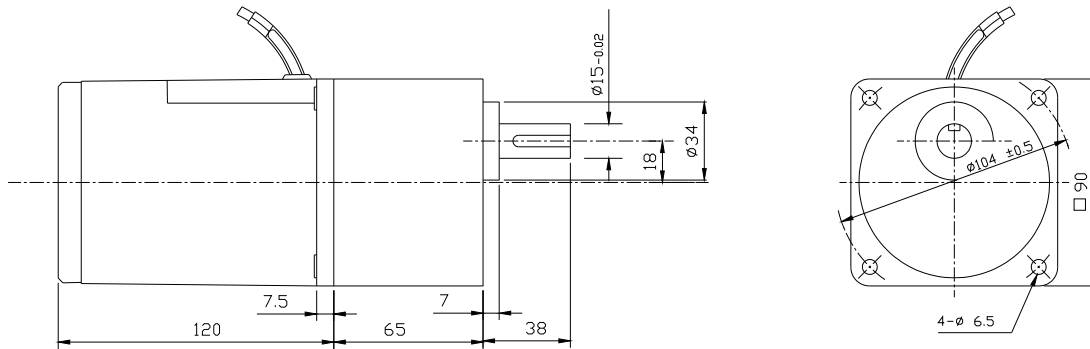
Motor, Gearbox with Terminal Box


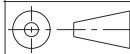


Motor Round Shaft with Terminal Box



Motor, Gearbox with Lead wire



	Dimensional Drawing
	<small>ALL DIMENSIONS ARE IN MM DRAWING NOT TO BE SCALED IF IN DOUBT PLEASE ASK</small>
PRODUCT: A.C. MOTOR 40 Watt	
	Swipfe Industries