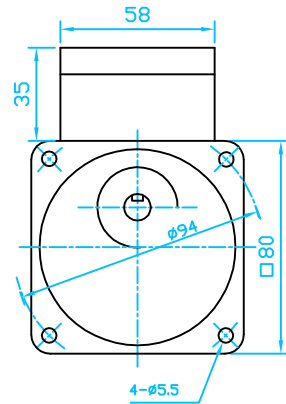
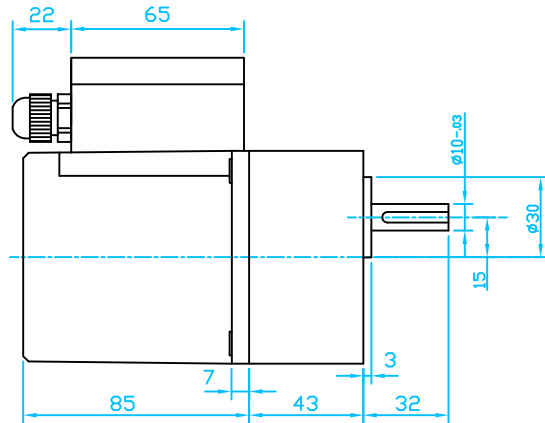
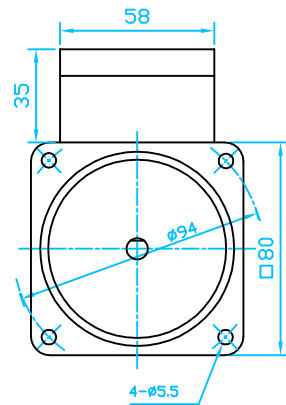
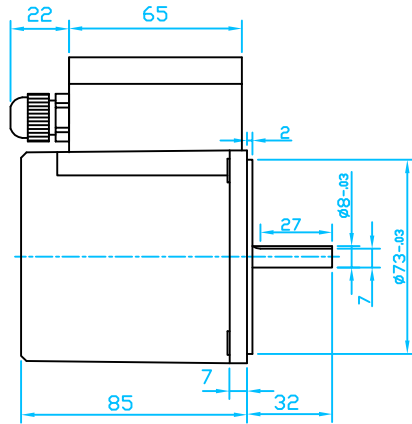


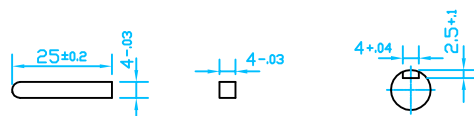
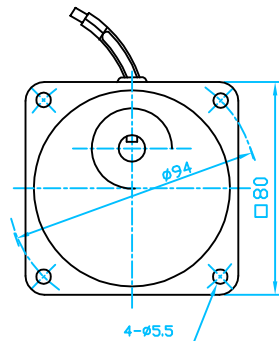
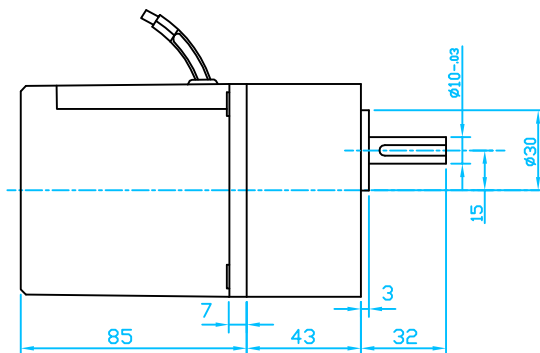
Motor, Gearbox with Terminal Box



Motor Round Shaft with Terminal Box



Motor, Gearbox with Lead wire



Weight: Motor 1.5 kg Gearbox 0.8 Kg

		DATE: 21/6/2006
Dimensional Drawing		ALL DIMENSIONS ARE IN MM DRAWING NOT TO BE SCALED IF IN DOUBT PLEASE ASK
PRODUCT: Induction Motor 25 Watt		