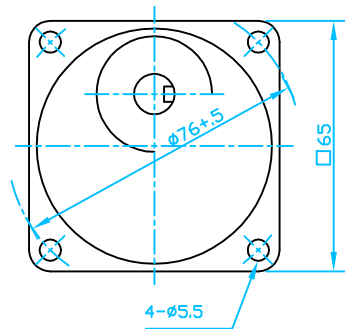
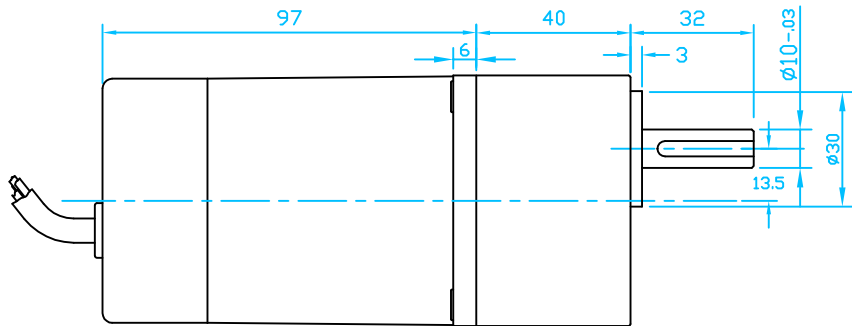
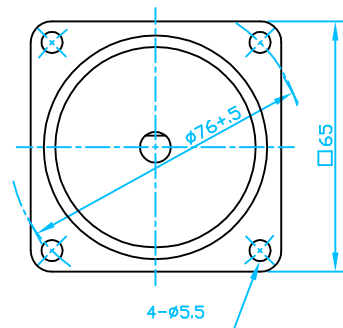
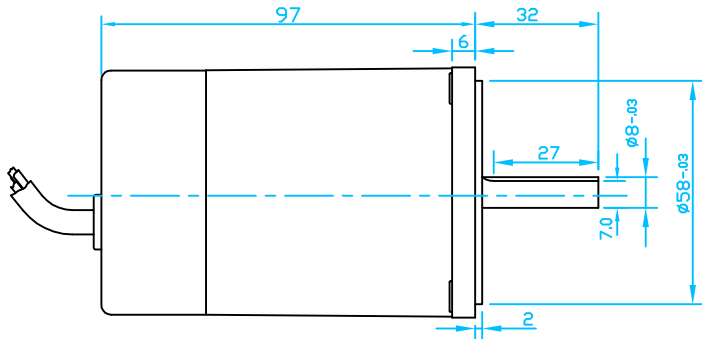


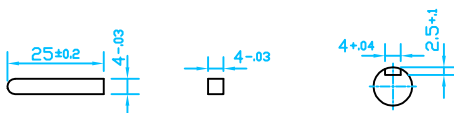
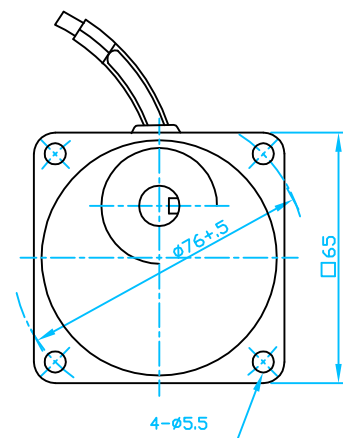
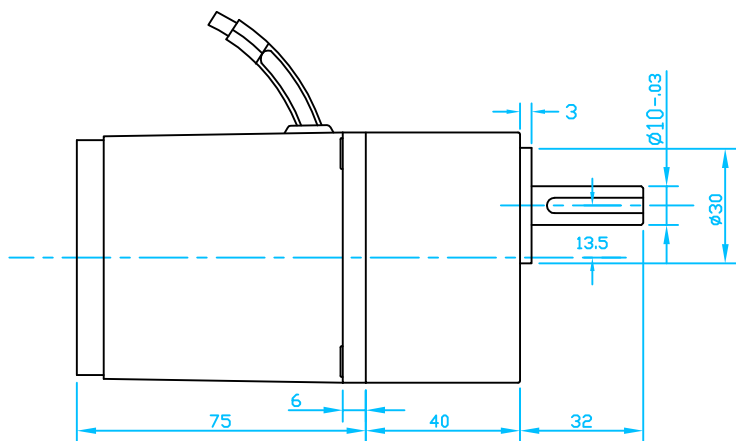
### Motor, Gearbox with Capacitor Cover



### Motor Round Shaft with Capacitor Cover



### Motor, Gearbox with Lead wire



Weight: Motor 1 kg    Gearbox 0.5 Kg

	DATE: 21/6/2006
	ALL DIMENSIONS ARE IN MM DRAWING NOT TO BE SCALED IF IN DOUBT PLEASE ASK
Dimensional Drawing	
PRODUCT: Induction Motor 12 Watt	